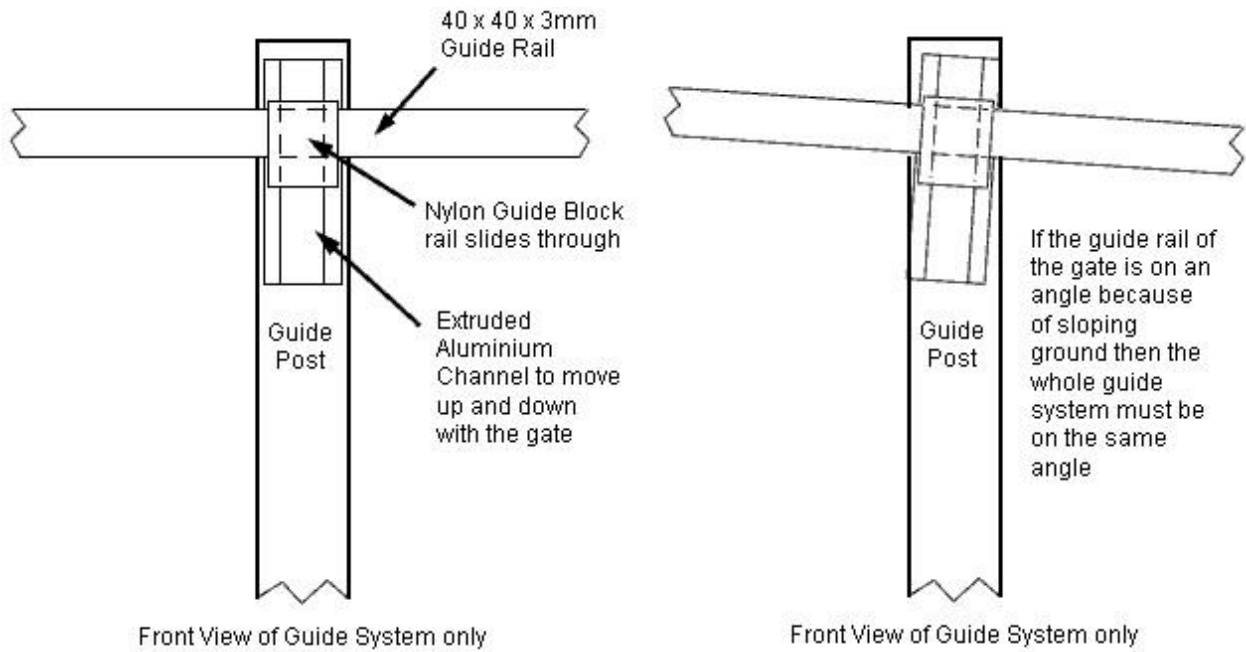


Slide Gate Rollers & Guides



Rollers

40mm Nylon roller for when you want to make your own bracket



Photos left to right

“30Roller” 30mm diameter x 40mm long Total: \$5 each

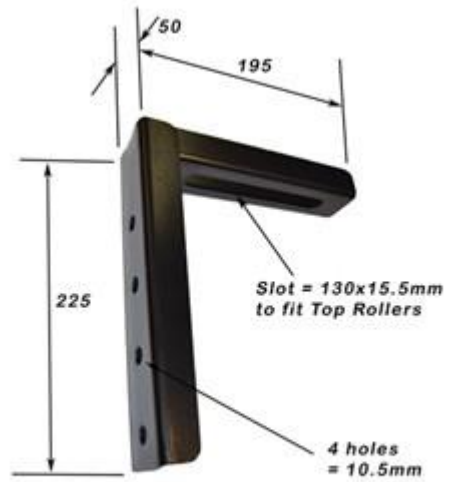
“60Roller” 60mm diameter x 40mm long Total: \$9 each

“140Roller” 140mm diameter x 40mm long Total: \$20 each

Single Bracket

Single Bracket used with nylon rollers.

Adjustable



"Singlebrack" Total: \$29.00 each

Double Bracket with nylon rollers

Double Bracket SMALL with 4 x Nylon 30mm diameter x 40mm long.

Double Bracket LARGE with 4 x Nylon Roller 60mm diameter x 40mm long.

Adjustable

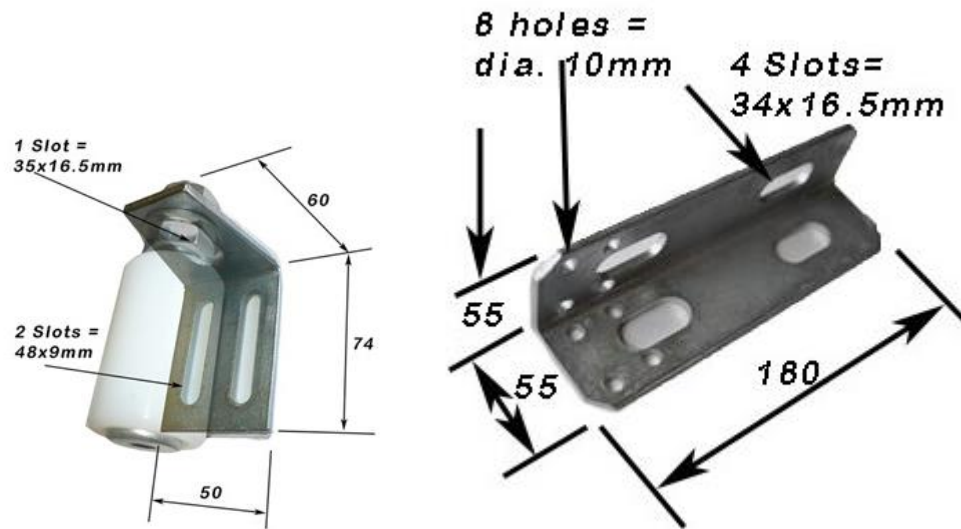


Photos left to right

"DoublebrackS" For gate frame size from 35mm-60mm Total: \$55.00 each

"DoublebrackL" For gate frame size from 70mm-110mm Total: \$166.00 each

Bracket with nylon rollers



SmallbrackS" Total: \$8.00 each

LongbrackS" Total: \$19.00 each

Sliding gate Nylon Block 75mm and 100mm

75mm Sliding gate block commonly used Residential light gate

100mm Sliding gate block commonly used commercial heavy gate

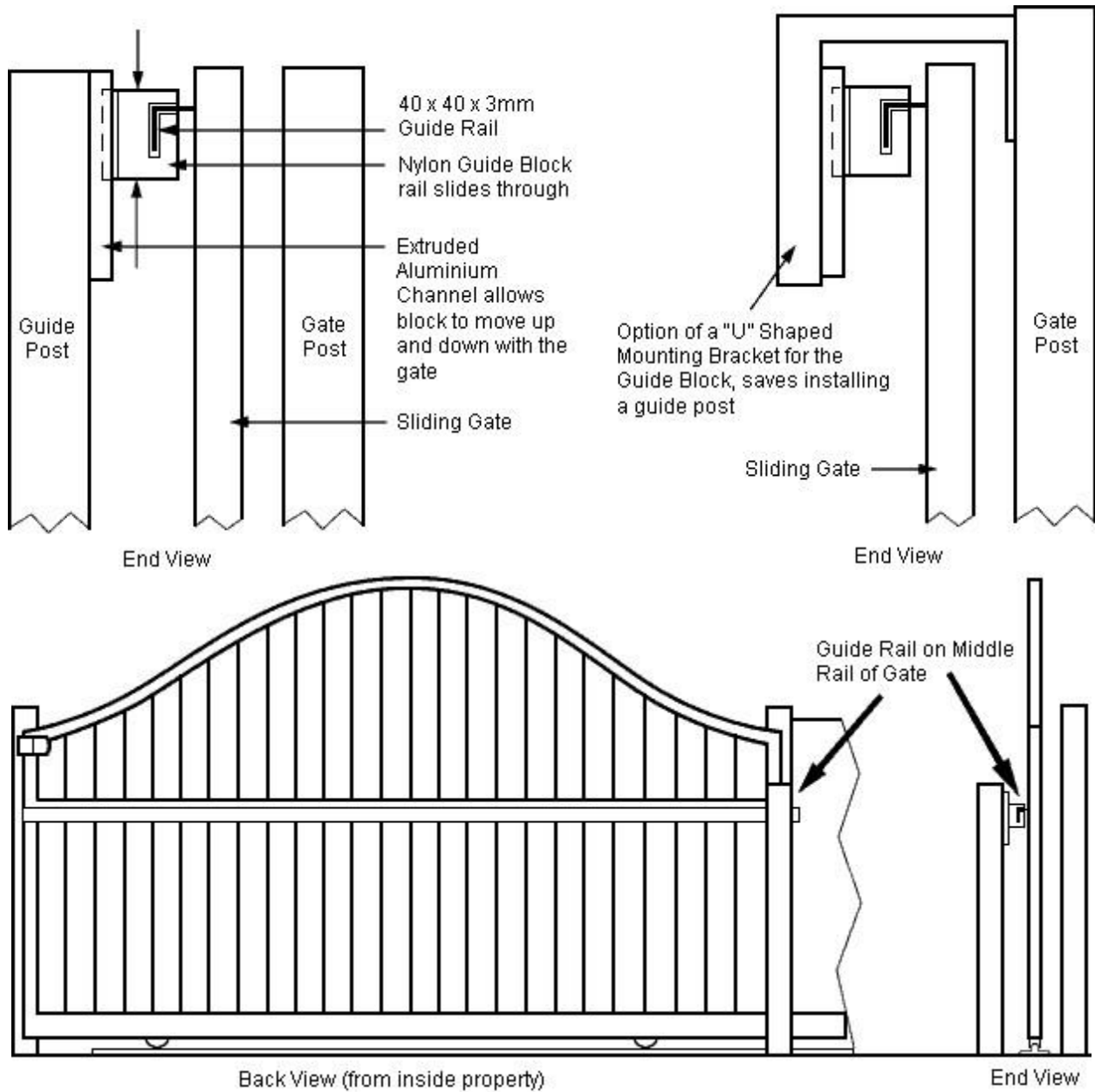


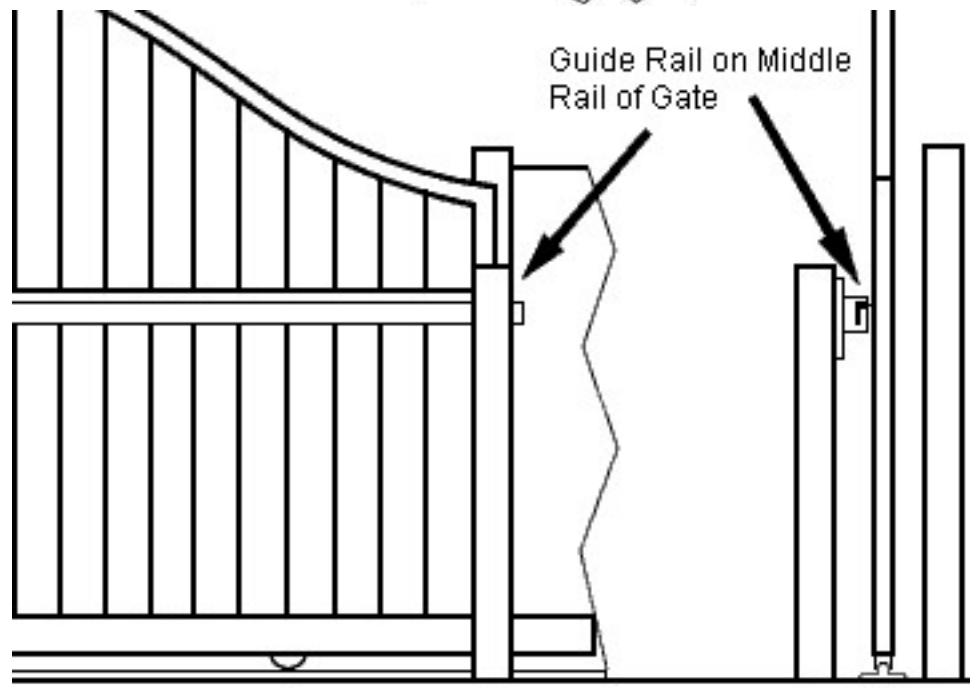
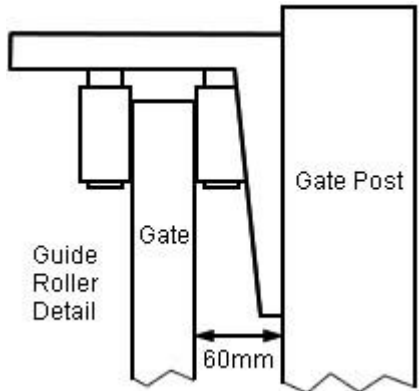
Photos left to right

"Block75" 75mm Sliding gate block Total: \$18.00 each

"Block75Cut" 75mm Sliding gate block top cut Total: \$36.00 each

"Block100" 100mm Sliding gate block top cut Total: \$89.00 each





roperty)

End View