

Sliding Gate Wheels

90mm sliding gate Wheel

Use with bottom rail box section 76 x 38 RHS or 100 x 50 RHS or larger

Sealed bearing wheel



Photos left to right

“90Wheelc” 90mm Standard rated up to 200kg used with half round track with bracket

Total: \$19.00 Each

“90Wheel” 90mm Italian made rated up to 400kg used with half round track with bracket

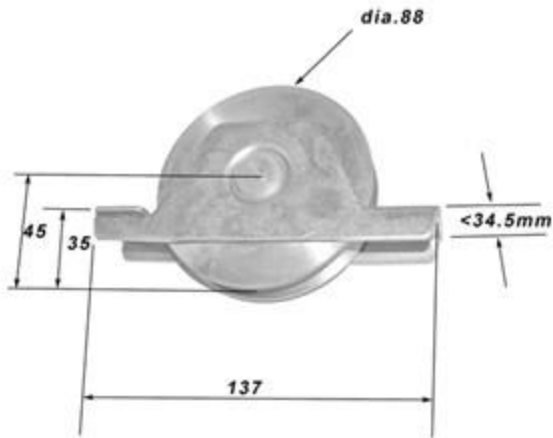
Total: \$29.00 Each

“90WheelV” 90mm Italian made rated up to 400kg used with v track with bracket

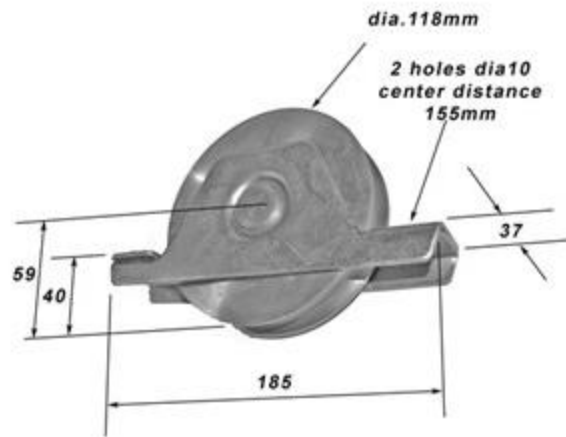
Total: \$39.00 Each

“120Wheel” 120mm Italian made rated up to 500kg used with half round track with bracket

Total: \$39.00 Each



90 Wheel



120 Wheel

120mm sliding gate Double Wheel

117mm diameter to suit 20mm track. Load rating of 1200kg per wheel, used with 20mm half round track

Bearings - grease nipples for lubrication



"120DBWheel" Industrial rated up to 1200kg Total: \$329.00 Each

120mm sliding gate without bracket

117mm diameter to suit 20mm track. Load rating of 1200kg per wheel, used with 20mm half round track



“120Wheelch” 120mm rated up to 500kg used with half round track

Total: \$29.00 Each

“120WheelD” 120mm Italian made rated up to 500kg used with half round track

Total: \$59.00 Each
