

Telesopic Gates Hardware

90mm sliding gate Wheel

Use with bottom rail box section 76 x 38 RHS or 100 x 50 RHS or larger

Sealed bearing wheel

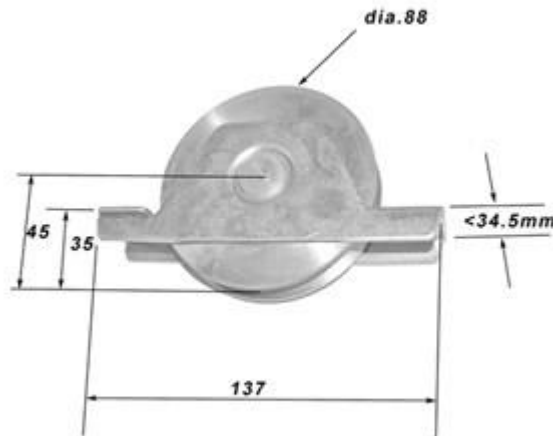


Photos left to right

“90Wheel” Standard rated up to 200kg used with half round track Total: \$19.00 Each

“90WheelC” Italian made rated up to 400kg used with half round track Total: \$29.50 Each

“90WheelV” Italian made rated up to 400kg used with v track Total: \$39.50 Each



120mm sliding gate Double Wheel

117mm diameter to suit 20mm track. Load rating of 1200kg per wheel, used with 20mm half round track

Bearings - grease nipples for lubrication



“120DBWheel” Industrial rated up to 1200kg Total: \$19.00 Each

“90WheelC” Italian made rated up to 400kg used with half round track Total: \$29.50 Each
